

FX2 SQUARE TRIM SUBMITTAL : DIMENSIONS

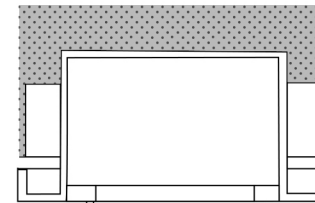
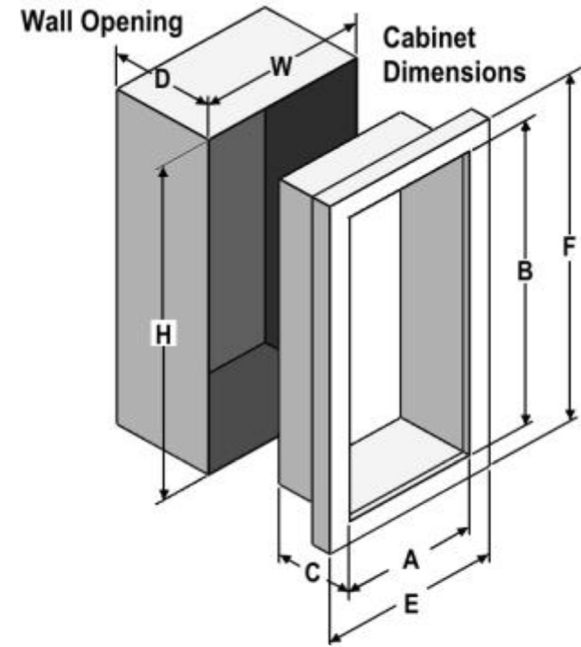
TRIM & DOOR SERIES #		Tub I.D.			Frame O.D.		Wall Opening		
Model	Trim Style	A	B	C	E	F	W	H	D
18X6	1-1/2" Square	10 1/2	24	5 1/2	13 7/8	27 3/8	12 13/16	20 5/16	5 3/16
10X6	1-1/2" Square	10 1/2	24	6	13 7/8	27 3/8	12 13/16	20 5/16	5 11/16
20X6	1-1/4" Square	12	27	7 3/4	15 3/8	30 3/8	14 5/16	29 5/16	7 11/16
30X6	1-1/4" Square	16	32	7 3/4	19 3/8	35 3/8	18 5/16	34 5/16	7 9/16
40X6	1-1/4" Square	20	27	7 3/4	23 3/8	30 3/8	22 5/16	29 5/16	7 9/16

FX2 ROLLED TRIM SUBMITTAL : DIMENSIONS

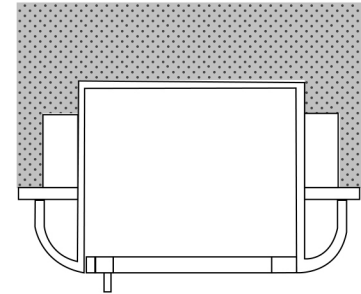
TRIM & DOOR SERIES #		Tub I.D.			Frame O.D.		Wall Opening		
Model	Trim Style	A	B	C	E	F	W	H	D
20X7	2-1/2" Rolled	12	27	7 3/4	15 3/8	30 3/8	14 5/16	29 5/16	6 7/16
30X7	2-1/2" Rolled	16	32	7 3/4	19 3/8	35 3/8	18 5/16	34 5/16	6 7/16
40X7	2-1/2" Rolled	20	27	7 3/4	23 3/8	30 3/8	22 5/16	29 5/16	7 11/16
18X7	3" Rolled	10 1/2	24	5 1/2	13 7/8	27 3/8	12 13/16	26 5/16	3 5/8
10X7	3" Rolled	10 1/2	24	6	13 7/8	27 3/8	12 13/16	26 5/16	4
18X8	4-1/2" Rolled	10 1/2	24	5 1/2	13 7/8	27 3/8	12 13/16	26 5/16	2 3/16
10X8	4-1/2" Rolled	10 1/2	24	6	13 7/8	27 3/8	12 13/16	26 5/16	2 11/16
20X8	4-1/2" Rolled	12	27	7 3/4	15 3/8	30 3/8	14 5/16	29 5/16	4 7/16
30X8	4-1/2" Rolled	16	32	7 3/4	19 3/8	35 3/8	18 5/16	34 5/16	4 7/16
40X8	4-1/2" Rolled	20	27	7 3/4	23 3/8	30 3/8	22 5/16	29 5/16	4 7/16

FX2 ROLLED-FLUSH PULL TRIM SUBMITTAL : DIMENSIONS

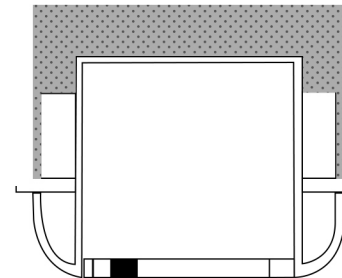
TRIM & DOOR SERIES #		Tub I.D.			Frame O.D.		Wall Opening		
Model	Trim Style	A	B	C	E	F	W	H	D
18X2	4" Rolled-Flush Pull	10 1/2	24	5 1/2	13 7/8	27 3/8	12 13/16	26 5/16	3 1/2
10X2	4" Rolled-Flush Pull	10 1/2	24	6	13 7/8	27 3/8	12 13/16	26 5/16	4
20X2	4" Rolled-Flush Pull	12	27	7 3/4	15 3/8	30 3/8	14 5/16	29 5/16	5 1/8
30X2	4" Rolled-Flush Pull	16	32	7 3/4	19 3/8	35 3/8	18 5/16	34 5/16	5 1/8
40X2	4" Rolled-Flush Pull	20	27	7 3/4	23 3/8	30 3/8	22 5/16	29 5/16	5 1/8



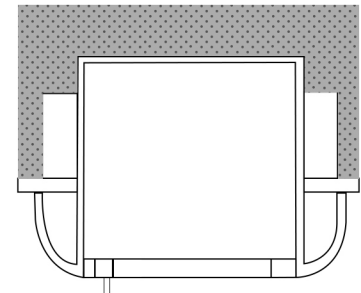
1-1/2" Square Trim



2-1/2, 3" Rolled Edge



4" Rolled-Flush Pull



4.5" Rolled Edge